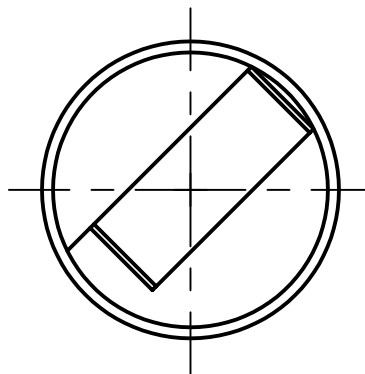


SECTION A - A



SECTION B - B

**MODEL NO.
CLH**